

MSP-5000

Intrinsic Safety Pressure Transmitter
 Intrinsic Safety Explosion Proof Certification



DESCRIPTION

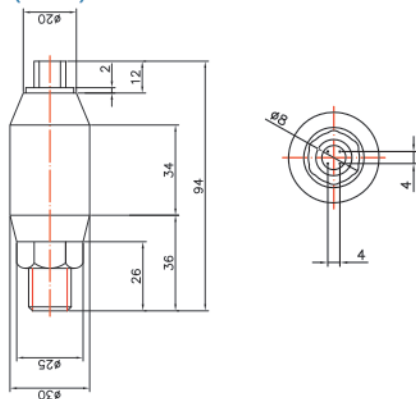
This is an intrinsic safety explosion proof pressure transmitter, and is suitable for controlling to measure processing pressures in the environment where there is at the risk of explosion.

This is available for preventing from explosive destruction accidents in plants as an item acquired with an intrinsic safety explosion proof grade, Ex ia IIC T4, Ip65.

FEATURES

- High precision
- Safe & smart design
- Intrinsic safety explosion proof certification(Ex ia IIC T4, IP65)
- Using together with shunt-diode safety barrier
- CE certification

DEMENSION(mm)



SPECIFICATIONS

- Kind Of Explosion Proof Construction : Intrinsically Safety Explosion-Proof
 - Explosion proofed : Ex ia II C T4, IP65
 - Operating Condition : Hazardous Areas
 - Display Type : Non Display
 - Cable : 2m(Standard)
 - Pressure Connection : PT 1/2" , PT 3/8" , PT 1/4"
 - Wetted Parts Materials : DETACHED-IN Diaphragm on Silicon Base
 - Pressure Range : 0~0.6...35kgf/cm² Gauge
0~1...350kgf/cm² Absolute
 - Available Max. Pressure : Two Times of Pressure Range
 - Operating Temperature : -40~125°C *(-20~70°C)
 - Temperature Compensated : -20~85°C *(0~50°C)
 - Power Source : DC 18~30V
 - Output : DC 4~20mA(Max 22mA)
 - Load Resistance : 500Ω at DC 24V
 - Transmission System : 2 Wire System
 - Accuracy : ±0.25% F.S.
 - Accidental : Linearity ±0.1% of Span
Repeatability ±0.015% of Span
Hysteresis ±0.1% of Span
Stability ±0.2%(One Year)
 - Construction : Indoor Use
- ※ Applicable to pressure range within 1kgf/cm²

MODEL SELECTION

MSP5000	PE	PT 3/8	8K	D24
Pressure Transmitter	Material of Body	Fitting	Size	Power
	SS : SUS 316	RP : PT	1/4 : 1/4" 3/8 : 3/8" 1/2 : 1/2"	D24 : DC 24V
			Pressure : 0~50K	